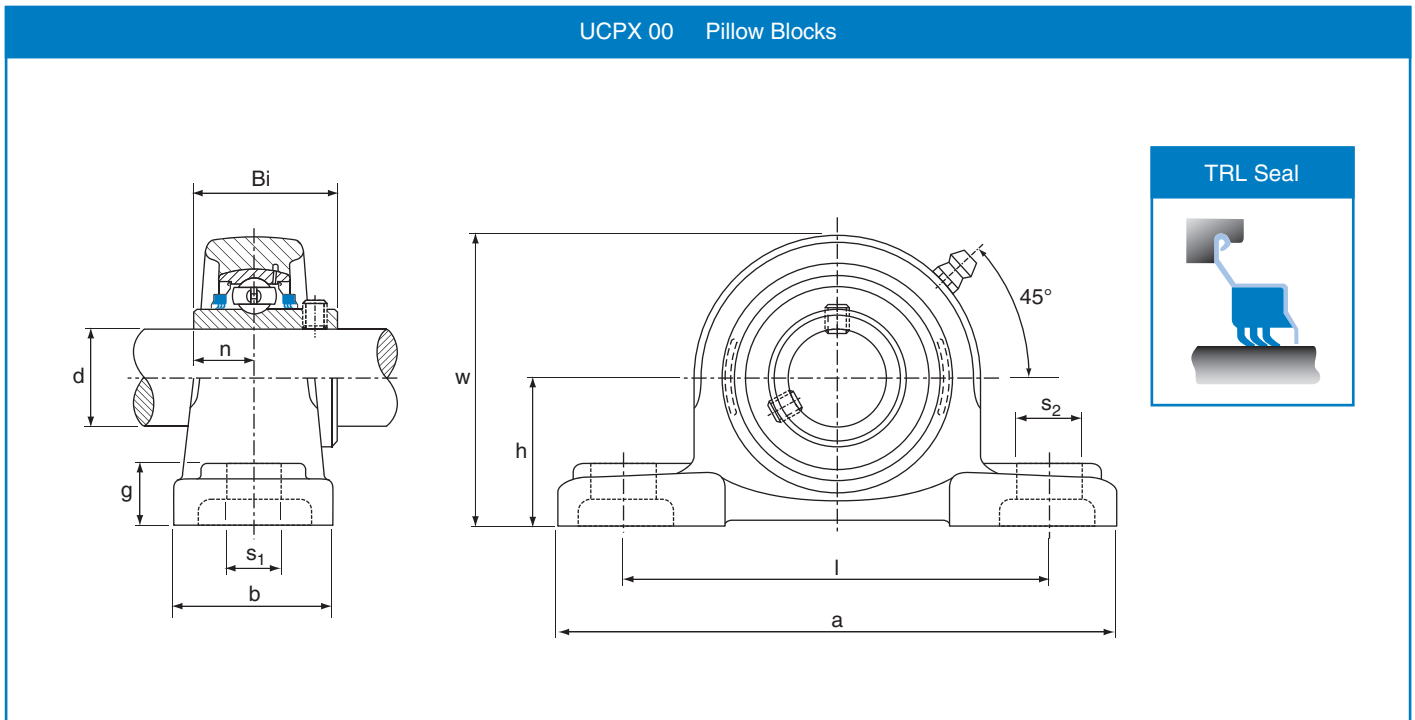


Pillow Blocks



UCPX 00 Pillow Block (Medium Duty)

Bearing Unit	Shaft Dia.		h	a	l	b	s ₂	s ₁	g	w	Bi	n	Bolt Size		Insert No.	Housing No.	Weight kg
	d inch	d mm											inch	mm			
UCPX 05 UCPX 05-16	1"	25	44.4	159	119	51	25	17	18	85	38.1	15.9	1/2"	M14	UCX 05 UCX 05-16	PX 05	1.50
UCPX 06 UCPX 06-20	1.1/4"	30	47.6	175	127	57	25	17	20	94	42.9	17.5	1/2"	M14	UCX 06 UCX 06-20	PX 06	2.00
UCPX 07 UCPX 07-20 UCPX 07-22	1.1/4" 1.3/8"	35	54.0	203	144	57	30	17	22	105	49.2	19.0	1/2"	M14	UCX 07 UCX 07-20 UCX 07-22	PX 07	2.70
UCPX 08 UCPX 08-24	1.1/2"	40	58.7	222	156	67	32	20	26	113	49.2	19.0	5/8"	M16	UCX 08 UCX 08-24	PX 08	3.50
UCPX 09 UCPX 09-28	1.3/4"	45	58.7	222	156	67	33	20	26	116	51.6	19.0	5/8"	M16	UCX 09 UCX 09-28	PX 09	3.60
UCPX 10 UCPX 10-32	2"	50	63.5	241	171	73	36	20	27	126	55.6	22.2	5/8"	M16	UCX 10 UCX 10-32	PX 10	4.40
UCPX 11 UCPX 11-36	2.1/4"	55	69.8	260	184	79	36	25	30	139	65.1	25.4	3/4"	M20	UCX 11 UCX 11-36	PX 11	6.30
UCPX 12 UCPX 12-36	2.1/4"	60	76.2	286	203	83	41	25	32	152	65.1	25.4	3/4"	M20	UCX 12 UCX 12-36	PX 12	7.40
UCPX 13 UCPX 13-40	2.1/2"	65	76.2	286	203	83	41	25	32	154	74.6	30.2	3/4"	M20	UCX 13 UCX 13-40	PX 13	7.70
UCPX 14 UCPX 14-44	2.3/4"	70	88.9	330	229	89	50	27	35	171	77.8	33.3	7/8"	M22	UCX 14 UCX 14-44	PX 14	10.60
UCPX 15 UCPX 15-48	3"	75	88.9	330	229	89	50	27	35	175	82.6	33.3	7/8"	M22	UCX 15 UCX 15-48	PX 15	11.10
UCPX 16		80	101.6	381	283	102	54	27	42	196	85.7	34.1		M22	UCX 16	PX 16	16.20